

CAMERA	BE-800/890C	BE-801/891C	BE-850C
PICKUP DEVICE	CMOS		
REQUIRED ILLUMINATION	0.1 LUX (INTEGRATED IR LED)		
TV SYSTEM	PAL	NTSC	PAL
HORIZONTAL RESOLUTION	425TVL	BE-801C: 450TVL BE-891C: 425TVL	425TVL
AUDIO	BE-800C: ✓ BE-890C: ✗	BE-801C: ✓ BE-891C: ✗	✓
LENS ANGLE (H), (V), (D)	BE-8X0C: 109° x 85° x 135° BE-8X0C(40): 32° x 24° x 41° BE-8X0C(78): 69° x 51° x 92°	BE-801C: 110° x 89° x 138° BE-891C: 109° x 85° x 135° BE-8X1C(40): 33° x 25° x 42° BE-8X1C(78): 71° x 52° x 94°	109° x 85° x 135°
OPERATING VOLTAGE	12Vdc	12Vdc	12-24Vdc
CURRENT CONSUMPTION	370mA max (at 12 Vdc)		140mA max
POWER CONSUMPTION	4.5W max (at 12Vdc)		3.4W max
OPERATING TEMPERATURE	-40°C to +85°C		
WEIGHT	335g		
DIMENSIONS (WxHxD) mm	86mm x 72mm x 80mm		

KAMERA	BE-800/890C	BE-801/891C	BE-850C
BILDSENSOR	CMOS		
NOTWENDIGE HELLIGKEIT	0.1 LUX (IR LED BELEUCHTUNG INTEGRIERT)		
TV-NORM	PAL	NTSC	PAL
HORIZONTALE AUFLÖSUNG	425TVL	BE-801C: 450TVL BE-891C: 425TVL	425TVL
AUDIO	BE-800C: ✓ BE-890C: ✗	BE-801C: ✓ BE-891C: ✗	✓
KAMERA SICHTWINKEL (H), (V), (D)	BE-8X0C: 109° x 85° x 135° BE-8X0C(40): 32° x 24° x 41° BE-8X0C(78): 69° x 51° x 92°	BE-801C: 110° x 89° x 138° BE-891C: 109° x 85° x 135° BE-8X1C(40): 33° x 25° x 42° BE-8X1C(78): 71° x 52° x 94°	109° x 85° x 135°
VERSORGUNGSSPANNUNG	12 V DC	12 V DC	12-24 V DC
STROMVERBRAUCH	370mA max (BEI 12 V DC)		140mA max
LEISTUNGS-AUFNAHME	4.5 W (BEI 12 V DC)		3.4W max
BETRIEBSTEMPERATUR	-40°C to +85°C		
GEWICHT	335g		
ABMESSUNGEN (B x H x T) mm	86mm x 72mm x 80mm		

BE-800C/BE-801C

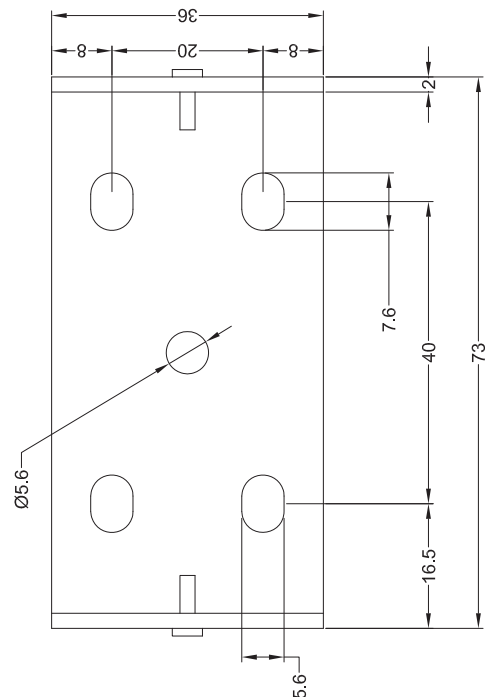
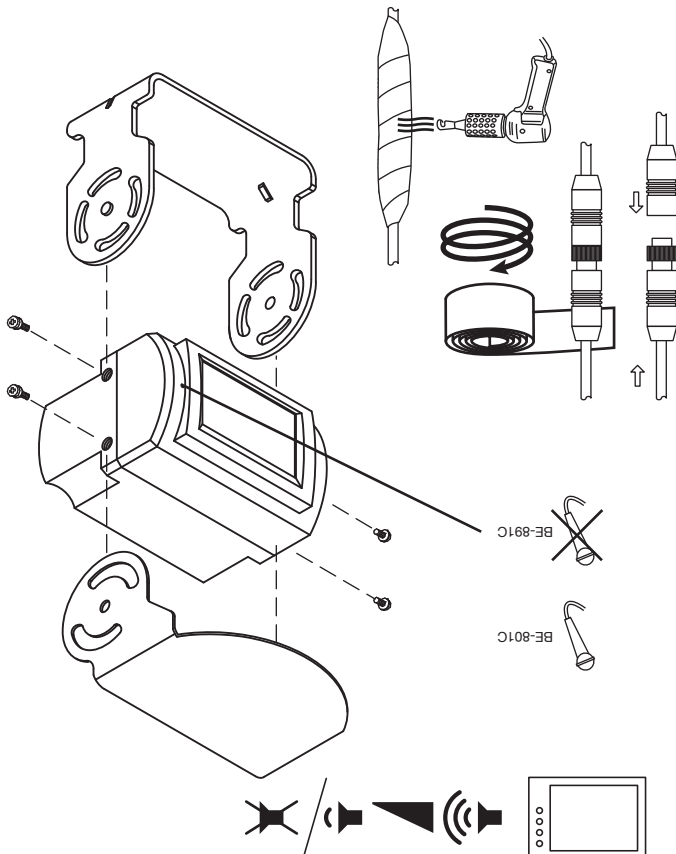
BE-800C(40) BE-800C(78) BE-801C(40) BE-801C(78)
BE-890C/ BE-891C/ BE-850C

Quick user guide
Guide de démarrage rapide
Kurzanleitung
Guida rapida all'uso
Guía rápida del usuario
Beknopte gebruikershandleiding
Guia rápida do usuário
Краткое руководство пользователя



3929

IG No: 3247C



FR CARACTÉRISTIQUES TECHNIQUES

CAMÉRA	BE-800/890C	BE-801/891C	BE-850C
DISPOSITIF DE CAPTURE	CMOS		
ÉCLAIREMENT NÉCESSAIRE	0.1 LUX (LED INFRAROUGE INTÉGRÉE)		
SYSTÈME TV	PAL	NTSC	PAL
DÉFINITION HORIZONTALE	425TVL	BE-801C: 450TVL BE-891C: 425TVL	425TVL
AUDIO	BE-800C: ✓ BE-890C: ✗	BE-801C: ✓ BE-891C: ✗	✓
ANGLE D'OBJECTIF (H), (V), (P)	BE-8X0C: 109° x 85° x 135° BE-8X0C(40): 32° x 24° x 41° BE-8X0C(78): 69° x 51° x 92°	BE-801C: 110° x 89° x 138° BE-891C: 109° x 85° x 135° BE-8X1C(40): 33° x 25° x 42° BE-8X1C(78): 71° x 52° x 94°	109° x 85° x 135°
ALIMENTATION	12 V CC	12 V CC	12 - 24 V CC
CONSOMMATION EN COURANT	370mA (SOUS 12 V CC)		140mA max
PUISSANCE CONSOMMÉE	4,5 W (SOUS 12 V CC)		3,4 W max
TEMPÉRATURE DE FONCTIONNEMENT	-40°C to +85°C		
POIDS	335g		
DIMENSIONS (LxPxH) mm	86mm x 72mm x 80mm		

IT SPECIFICHE TECNICHE

TELECAMERA	BE-800/890C	BE-801/891C	BE-850C
SENSORE DI IMMAGINE	CMOS		
ILLUMINAZIONE RICHIESTA	0.1 LUX (LED A INFRAROSSO INTEGRATI)		
STANDARD TV	PAL	NTSC	PAL
RISOLUZIONE ORIZZONTALE	425TVL	BE-801C: 450TVL BE-891C: 425TVL	425TVL
AUDIO	BE-800C: ✓ BE-890C: ✗	BE-801C: ✓ BE-891C: ✗	✓
ANGOLO LENTEPAL (H), (V), (D)	BE-8X0C: 109° x 85° x 135° BE-8X0C(40): 32° x 24° x 41° BE-8X0C(78): 69° x 51° x 92°	BE-801C: 110° x 89° x 138° BE-891C: 109° x 85° x 135° BE-8X1C(40): 33° x 25° x 42° BE-8X1C(78): 71° x 52° x 94°	109° x 85° x 135°
ALIMENTAZIONE	12 V DC	12 V DC	12-24 V DC
CONSUMO DI CORRENTE	370mA (A 12 V DC)		140mA max
CONSUMO DI POTENZA	4,5W (A 12 V DC)		3,4W max
TEMPERATURA DI FUNZIONAMENTO	-40°C to +85°C		
PESO	335g		
DIMENSIONI (LxAxP) mm	86mm x 72mm x 80mm		

PT ESPECIFICAÇÕES

CÂMERA	BE-800/890C	BE-801/891C	BE-850C
DISPOSITIVO DE CAPTAÇÃO	CMOS		
ILUMINAÇÃO NECESSÁRIA	0.1 LUX (ILUMINAÇÃO INTEGRADA LED IR)		
SISTEMA DE TV	PAL	NTSC	PAL
RESOLUÇÃO HORIZONTAL	425TVL	BE-801C: 450TVL BE-891C: 425TVL	425TVL
ÁUDIO	BE-800C: ✓ BE-890C: ✗	BE-801C: ✓ BE-891C: ✗	✓
ÂNGULO DA LENTE (H), (V), (P)	BE-8X0C: 109° x 85° x 135° BE-8X0C(40): 32° x 24° x 41° BE-8X0C(78): 69° x 51° x 92°	BE-801C: 110° x 89° x 138° BE-891C: 109° x 85° x 135° BE-8X1C(40): 33° x 25° x 42° BE-8X1C(78): 71° x 52° x 94°	109° x 85° x 135°
FONTE DE ALIMENTAÇÃO	12 VCC	12 VCC	12-24 VCC
CONSUMO DE CORRENTE	370mA (A 12 VCC)		140mA max
CONSUMO DE ENERGIA	4,5W (A 12 VCC)		3,4W max
TEMPERATURA OPERACIONAL	-40°C to +85°C		
PESO	335g		
DIMENSÕES (LxAxP) mm	86mm x 72mm x 80mm		

ES ESPECIFICACIONES

CÁMARA	BE-800/890C	BE-801/891C	BE-850C
DISPOSITIVO DE CAPTACIÓN	CMOS		
ILUMINACIÓN REQUERIDA	0.1 LUX (LED INFRARROJOS INTEGRADOS)		
SISTEMA DE TV	PAL	NTSC	PAL
RESOLUCIÓN HORIZONTAL	425TVL	BE-801C: 450TVL BE-891C: 425TVL	425TVL
AUDIO	BE-800C: ✓ BE-890C: ✗	BE-801C: ✓ BE-891C: ✗	✓
ÁNGULO DE LENTE (H), (V), (D)	BE-8X0C: 109° x 85° x 135° BE-8X0C(40): 32° x 24° x 41° BE-8X0C(78): 69° x 51° x 92°	BE-801C: 110° x 89° x 138° BE-891C: 109° x 85° x 135° BE-8X1C(40): 33° x 25° x 42° BE-8X1C(78): 71° x 52° x 94°	109° x 85° x 135°
SUMINISTRO DE VOLTAGE	12 V CC	12 V CC	12-24 V CC
CONSUMO DE CORRIENTE	370mA (A 12 V CC)		140mA max
CONSUMO DE POTENCIA	4,5W (A 12 V CC)		3,4W max
TEMPERATURA DE TRABAJO	-40°C to +85°C		
PESO	335g		
DIMENSIONES (An x Al x P) mm	86mm x 72mm x 80mm		

NL SPECIFICATIES

CAMERA	BE-800/890C	BE-801/891C	BE-850C
OPNAME APPARAAT	CMOS		
VEREISTE VERLICHTING	0.1 LUX (IR LED VERLICHTING GEÏNTEGREERDE)		
TV-SYSTEEM	PAL	NTSC	PAL
HORIZONTALE RESOLUTIE	425TVL	BE-801C: 450TVL BE-891C: 425TVL	425TVL
AUDIO	BE-800C: ✓ BE-890C: ✗	BE-801C: ✓ BE-891C: ✗	✓
LENSHOEK (H), (V), (D)	BE-8X0C: 109° x 85° x 135° BE-8X0C(40): 32° x 24° x 41° BE-8X0C(78): 69° x 51° x 92°	BE-801C: 110° x 89° x 138° BE-891C: 109° x 85° x 135° BE-8X1C(40): 33° x 25° x 42° BE-8X1C(78): 71° x 52° x 94°	109° x 85° x 135°
VOEDINGSSPANNING	12Vdc	12Vdc	12-24Vdc
HUIDIG VERBRUIK	370mA (OP 12Vdc)		140mA max
STROOMVERBRUIK	4,5W (OP 12Vdc)		3,4W max
WERKTEMPERATUUR	-40°C to +85°C		
GEWICHT	335g		
AFMETINGEN (B X H X D) mm	86mm x 72mm x 80mm		

TR ÖZELLİKLER

KAMERA	BE-800/890C	BE-801/891C	BE-850C
ALGILAMA BİRİMİ	CMOS		
GEREKLİ AYDINLANMA	0.1 LUX (EN AZ)		
TV SİSTEMİ	PAL	NTSC	PAL
YATAY ÇÖZÜNÜRLÜK	425TVL	BE-801C: 450TVL BE-891C: 425TVL	425TVL
SES	BE-800C: ✓ BE-890C: ✗	BE-801C: ✓ BE-891C: ✗	✓
MERCEK AÇISI (D), (V), (G)	BE-8X0C: 109° x 85° x 135° BE-8X0C(40): 32° x 24° x 41° BE-8X0C(78): 69° x 51° x 92°	BE-801C: 110° x 89° x 138° BE-891C: 109° x 85° x 135° BE-8X1C(40): 33° x 25° x 42° BE-8X1C(78): 71° x 52° x 94°	109° x 85° x 135°
GÜÇ KAYNAĞI	12 V DC	12 V DC	12-24 V DC
ÇEKİTİĞİ AKIM	370mA (at 12 V DC)		140mA max
GÜÇ SARFI	4,5W (at 12 V DC)		3,4W max
ÇALIŞMA ORTAM SICAKLIĞI	-40°C to +85°C		
AĞIRLIK	335g		
EBATLAR (G x Y x D) mm	86mm x 72mm x 80mm		

PL DANE TECHNICZNE

KAMERA	BE-800/890C	BE-801/891C	BE-850C
TYP PRZETWORNIKA	CMOS		
CZUŁOŚĆ KAMERY	0.1 LUX (ZINTEGROWANA IR LED)		
SYSTEM TV	PAL	NTSC	PAL
HORYZONTALNA	425TVL	BE-801C: 450TVL BE-891C: 425TVL	425TVL
AUDIO	BE-800C: ✓ BE-890C: ✗	BE-801C: ✓ BE-891C: ✗	✓
KĄT WIDZENIA (D), (H), (V)	BE-8X0C: 109° x 85° x 135° BE-8X0C(40): 32° x 24° x 41° BE-8X0C(78): 69° x 51° x 92°	BE-801C: 110° x 89° x 138° BE-891C: 109° x 85° x 135° BE-8X1C(40): 33° x 25° x 42° BE-8X1C(78): 71° x 52° x 94°	109° x 85° x 135°
ZASILANIE	12Vdc	12Vdc	12-24Vdc
POBÓR PRĄDU	370mA (AT 12Vdc)		140mA max
POBÓR MOCY	4,5W (AT 12Vdc)		3,4W max
TEMPERATURA PRACY	-40°C to +85°C		
WAGA	335g		
WYMIARY (WxHxD) mm	86mm x 72mm x 80mm		

RU технические условия

камера	BE-800/890C	BE-801/891C	BE-850C
ПРИЕМНОЕ УСТРОЙСТВО	CMOS		
ТРЕБУЕМАЯ ПОДСВЕТКА	0.1 ЛЮКС (ВСТРОЕННАЯ ИНФРАКРАСНАЯ)		
ТЕЛЕСИСТЕМА	PAL	NTSC	PAL
ПО ГОРИЗОНТАЛИ	425TVL	BE-801C: 450TVL BE-891C: 425TVL	425TVL
АУДИО	BE-800C: ✓ BE-890C: ✗	BE-801C: ✓ BE-891C: ✗	✓
УГОЛ ЛИНЗЫ (H), (V), (D)	BE-8X0C: 109° x 85° x 135° BE-8X0C(40): 32° x 24° x 41° BE-8X0C(78): 69° x 51° x 92°	BE-801C: 110° x 89° x 138° BE-891C: 109° x 85° x 135° BE-8X1C(40): 33° x 25° x 42° BE-8X1C(78): 71° x 52° x 94°	109° x 85° x 135°
ИСТОЧНИК ПИТАНИЯ	12 В	12 В	12-24 В
ПОТРЕБЛЕНИЕ ТОКА	370mA (ПРИ 12 В ПОСТОЯННОГО ТОКА)		140mA max
ЭНЕРГОПОТРЕБЛЕНИЕ	4,5W (ПРИ 12 В ПОСТОЯННОГО ТОКА)		3,4W max
РАБОЧАЯ ТЕМПЕРАТУРА	-40°C to +85°C		
МАССА	335g		
РАЗМЕРЫ (Ш x В x Г) mm	86mm x 72mm x 80mm		